

1

2

3

4

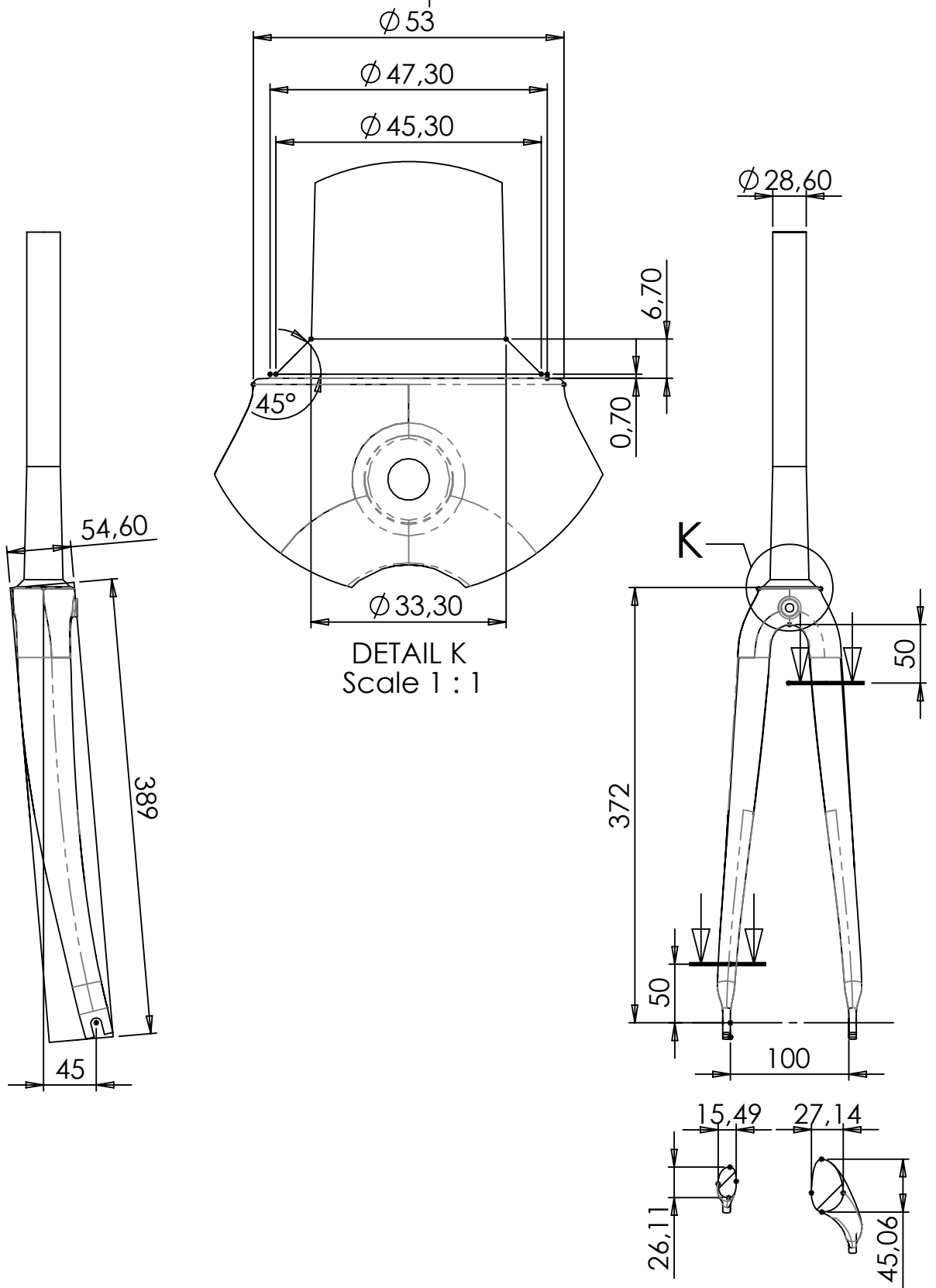
A

B

C

D

E



ISO 2768-1f 2768-2H		Surface treatment:		REVISION	
				Drawing number: <b>0601141 - 1</b>	
Name		Signature		Description: <b>Overview Scapula CT</b>	
DRAWN	F. Leiprecht				
CHKD					
APPV'D					
MFG					
Q.A				Company: <b>THM GmbH</b>	
				A4	
		Material:		Scale: 1:5	
		Weight: g		Page 1 of 1	